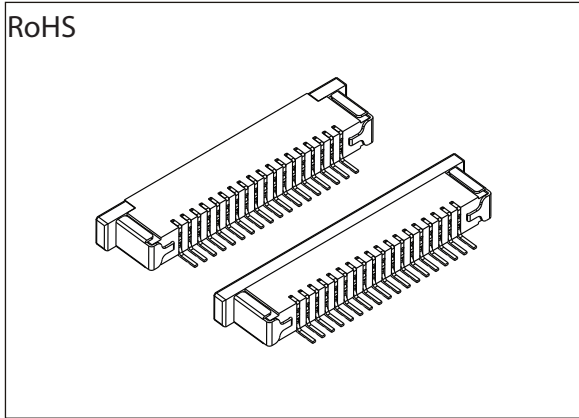


RoHS



KFPC100X Series

1.0mm FPC/FFC SMD Side Entry

Features

- Flexible Flat Connector (FFC) and Flexible Printed Connector (FPC) offered.
- Top and Bottom contact offered.
- Pin counts from 3 to 32 Available
- Offered as Zero Insertion Force (ZIF)

Performance Specifications

Material and Finish

Housing : High Temp plastic (UL94V-0)

Contact : Phosphor Bronze

Plated : Tin Plated

Specifications

Current Rating : 1.0A AC/DC

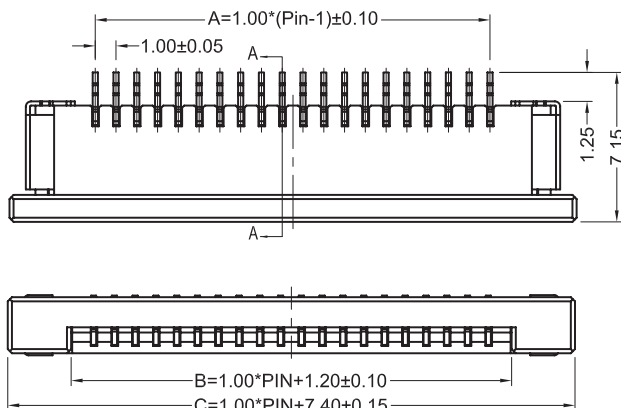
Voltage Rating : 100V AC/DC

Resistance : 30m ohm.max.

Insulation Resistance :100M ohm.Min.

Withstanding Voltage :500V AC for one minute

Operating Temperature Range : -25°C to +85°C



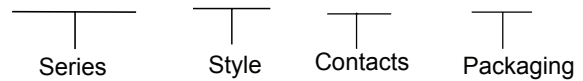
1.0 FPC/FFC ZIF SMD Side Entry

KFPC100X-SZRX Series

Documentation & Ordering Information

Kycon Part #

Part Number Builder

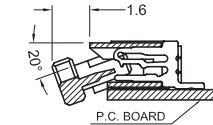


Series

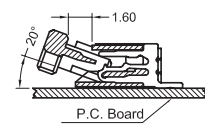
KFPC100X - 1.0 FPC/FFC SMD Side Entry

Style

SZR3 Top Contact



SZR4 Bottom Contact

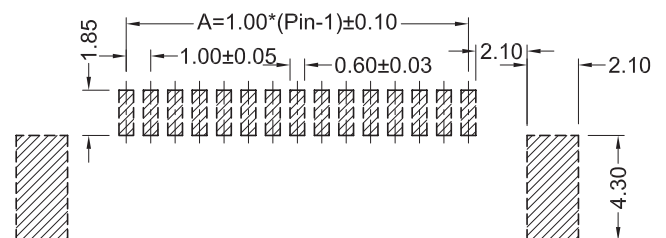


Contacts

No of Pin	Dim A	Dim B	Dim C	No of Pin	Dim A	Dim B	Dim C
3	2.0	4.2	10.4	18	17.0	19.2	25.4
4	3.0	5.2	11.4	19	18.0	20.2	26.4
5	4.0	6.2	12.4	20	19.0	21.2	27.4
6	5.0	7.2	13.4	21	20.0	22.2	28.4
7	6.0	8.2	14.4	22	21.0	23.2	29.4
8	7.0	9.2	15.4	23	22.0	24.2	30.4
9	8.0	10.2	16.4	24	23.0	25.2	31.4
10	9.0	11.2	17.4	25	24.0	26.2	32.4
11	10.0	12.2	18.4	26	25.0	27.2	33.4
12	11.0	13.2	19.4	27	26.0	28.2	34.4
13	12.0	14.2	20.4	28	27.0	29.2	35.4
14	13.0	15.2	21.4	29	28.0	30.2	36.4
15	14.0	16.2	22.4	30	29.0	31.2	37.4
16	15.0	17.2	23.4	31	30.0	32.2	38.4
17	16.0	18.2	24.4	32	31.0	33.2	39.4

Packaging

Blank - Bulk T - Tape and Reel



SZR3 & SZR4 PCB Layout Reference